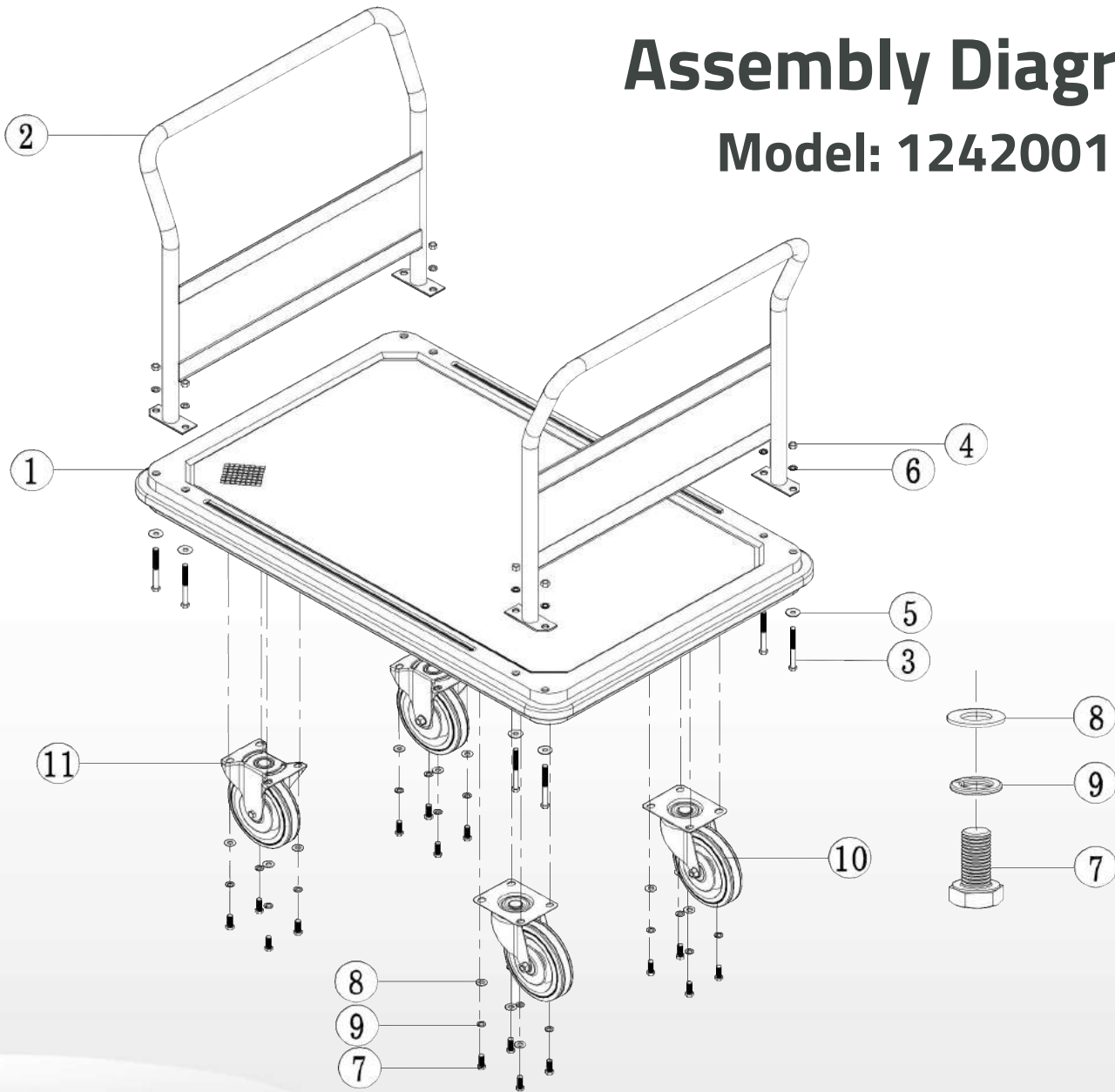




**STURGO®**

**Assembly Diagram**  
**Model: 12420015**



| No. | Description   | Qty |
|-----|---------------|-----|
| 1   | Deck          | 1   |
| 2   | Grip Handle   | 2   |
| 3   | Bolt          | 8   |
| 4   | Washer        | 8   |
| 5   | Spring Washer | 8   |
| 6   | Nut           | 8   |

| No. | Description   | Qty |
|-----|---------------|-----|
| 7   | Bolt          | 16  |
| 8   | Spring Washer | 16  |
| 9   | Washer        | 16  |
| 10  | Swivel Wheel  | 2   |
| 11  | Fixed Wheel   | 2   |

