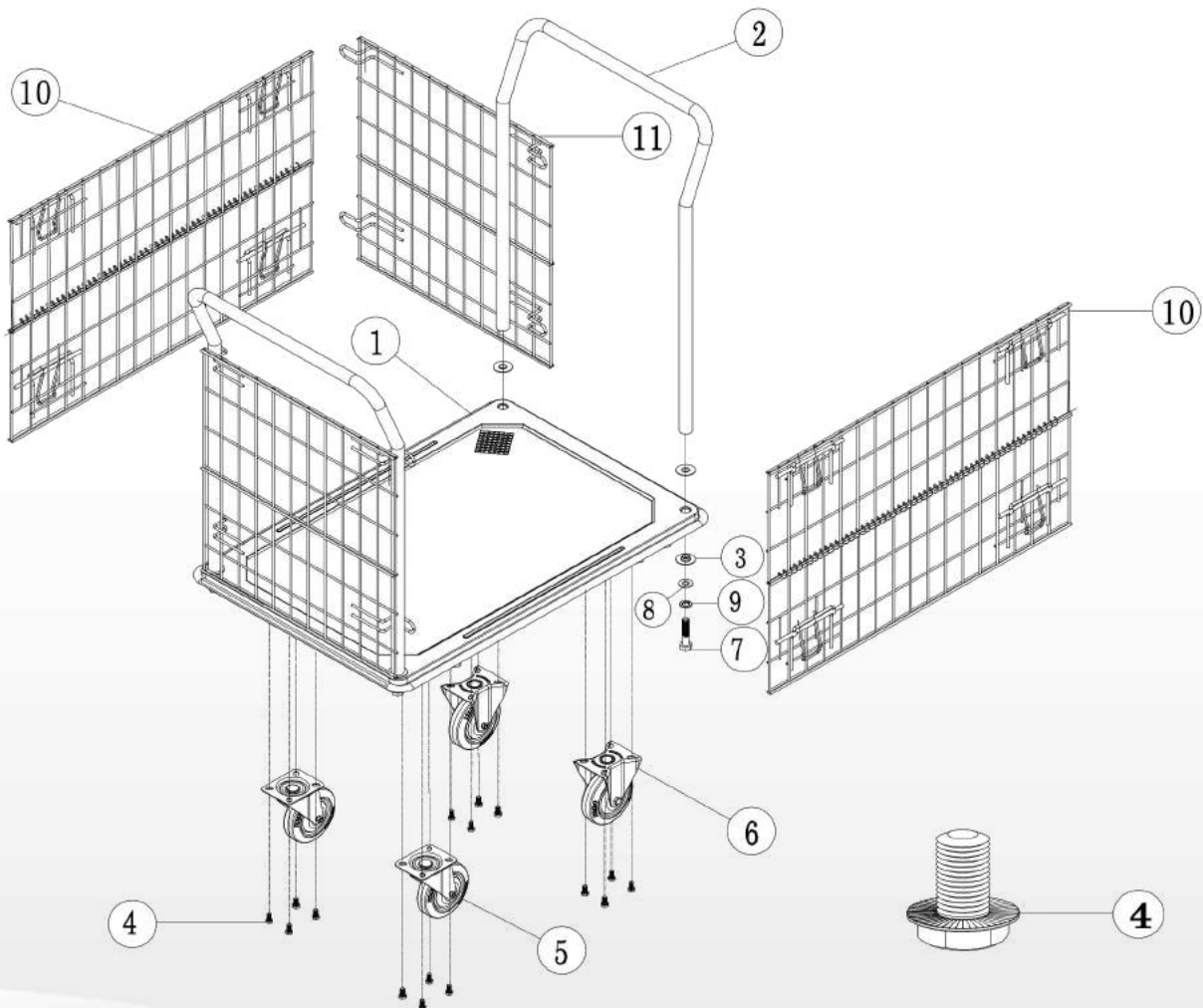




STURGO®

Assembly Diagram

Model: 12420005



No.	Description	Qty
1	Platform	1
2	Handle	2
3	Washer Support	8
4	Bolt Flange	16
5	Swivel Castor	2
6	Fixed Castor	2

No.	Description	Qty
7	Bolt	4
8	Washer	4
9	Spring Washer	4
10	Mesh Surround	2
11	Mesh Surround	2

