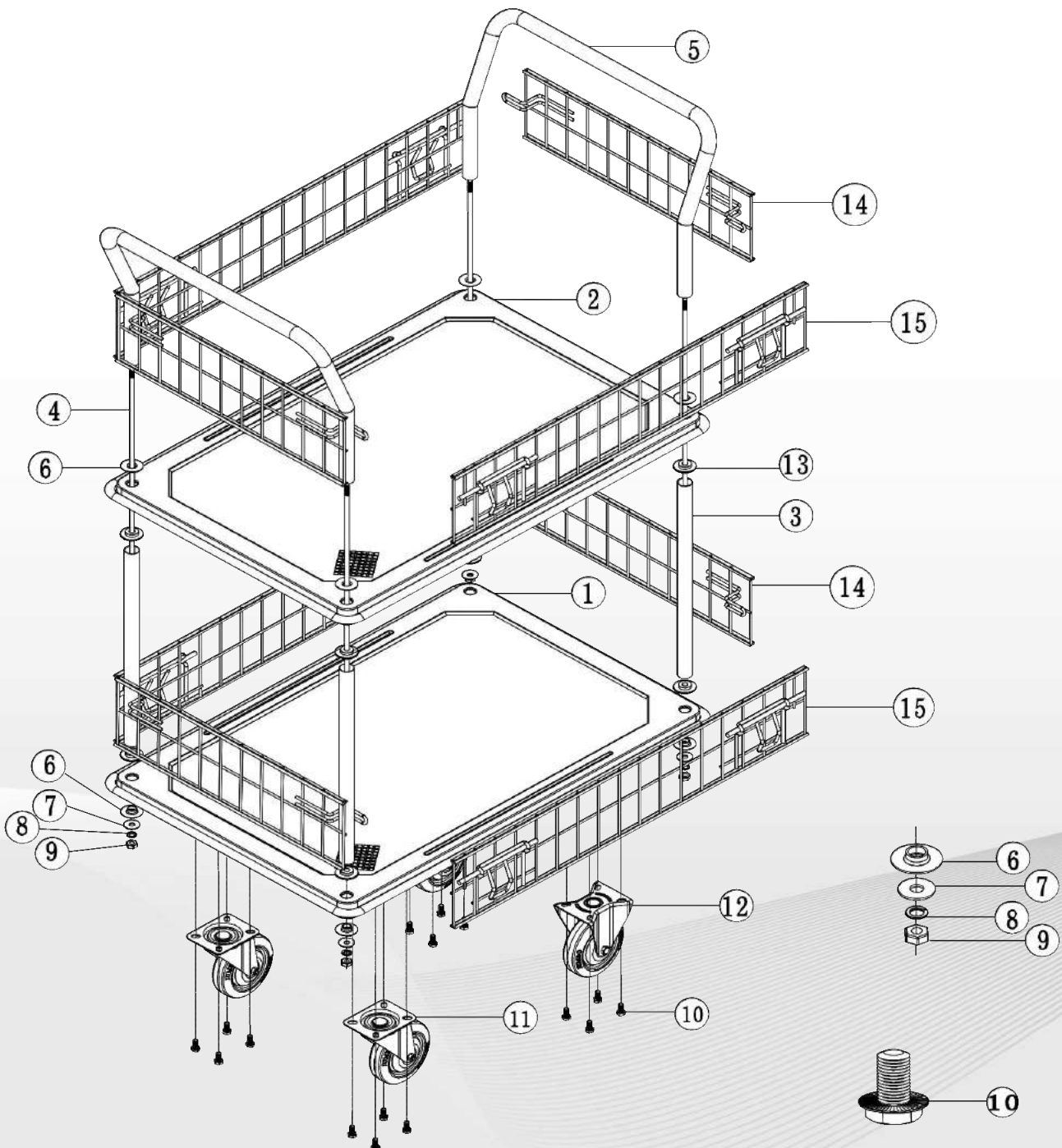




STURGO®

Assembly Diagram

Model: 12420001/11





| No. | Description | Qty |
|-----|----------------|-----|
| 1 | Platform | 1 |
| 2 | Platform | 1 |
| 3 | Tube | 4 |
| 4 | Screw Rod | 4 |
| 5 | Grip Handle | 2 |
| 6 | Washer Support | 8 |
| 7 | Washer | 4 |
| 8 | Spring Washer | 4 |
| 9 | Nut | 4 |
| 10 | Bolt Flange | 16 |
| 11 | Swivel Wheel | 2 |
| 12 | Fixed Wheel | 2 |
| 13 | Plastic Liner | 8 |
| 14 | Mesh Surround | 4 |
| 15 | Mesh Surround | 4 |

